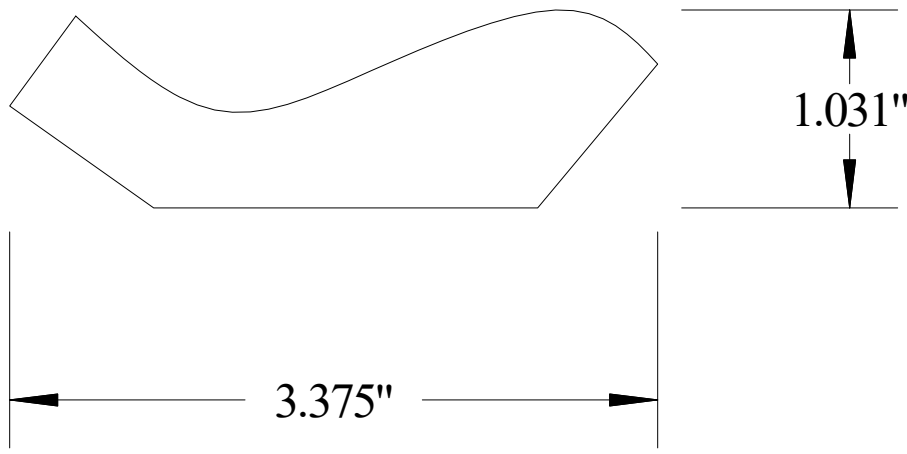


Vermont Hardwoods

#ML3003



Use VFH-17 Knife

Vermont Hardwoods 386 Depot St, PO Box 769 Chester, VT 05143	
Drawing	#ML3003, r1
Date	10/3/11
Drawn by	BAW
Scale	1" = 1"